

Where to from Here?

There are three different variations within the BISS Technologies Radio Communications Management product range, with the key definition being on the number of radio channels to be monitored and the number of operators requiring access to the monitored channels.

- BISS Technologies Range of Handset and Console Systems
3 Radio Channels to be monitored by an operator or multiple operators
- BISS Technologies 950 Radio Management System
4 Radio Channels to be monitored by an operator or multiple operators
- BISS Technologies 990 ComSys Communications Management System
12 Radio Channels to be monitored an operator or multiple operators

960 Series Handsets, Consoles and Plinths

BISS Technologies manufactures and supports a high quality range of reliable Radio Communications Handset and Console Systems. The 960 Range of Handsets and Consoles are designed for the simplest of applications and are available in the following models.

Handsets

Model 960 HC

This is a basic handset unit with built-in speaker, conference microphone, intercom facility and power/busy LED. The handset comes either as a desk handset or wall-mount. Two press to talk switches are provided with one mounted on the cradle with the other ideally positioned for thumb control on the handpiece.

Features
Conference Microphone
Inbuilt Speaker
Intercom
Cradle PTT Switch
Handpiece PTT Switch
Busy Indication
Power Indication
Volume Control

Consoles

960CC

This is a basic console unit with built-in loudspeaker, electret microphone, LED level meter, intercom facility, mute control and rear connections for headset, desk microphone and foot PTT switch. .

960CA

This system includes a 5-tone Selcal keypad ANI display, queuing, clock and printer output. Other features of the 960CC are retained with the 960CA.

960CSD

This console includes built-in mic and VU meter, full SELCAL, ANI and DTMF channel change facilities. All the functions and parameters are configured with a simple-to-use "Windows" program via a standard serial 'COM" port.

Features	960 CC	960 CA	960CSD
Conference Microphone	Yes	Yes	Yes
Inbuilt Speaker	Yes	Yes	Yes
Intercom	Yes	Yes	Yes
Cradle PTT Switch	Yes	Yes	Yes
Handpiece PTT Switch	Yes	Yes	Yes
Busy Indication	Yes	Yes	Yes
Power Indication	Yes	Yes	Yes
SELCAL	No	Yes	Yes
ANI	No	Yes	Yes
Volume Control	Yes	Yes	Yes
DTMF Channel Change	No	No	Yes

960C3 Channel Controller

Offering control of up to three individual channels, the 960C3 Channel Controller is ideally positioned between a simple 960 Series Peripheral/900 Series Interface combination and the 950 Radio Management System.

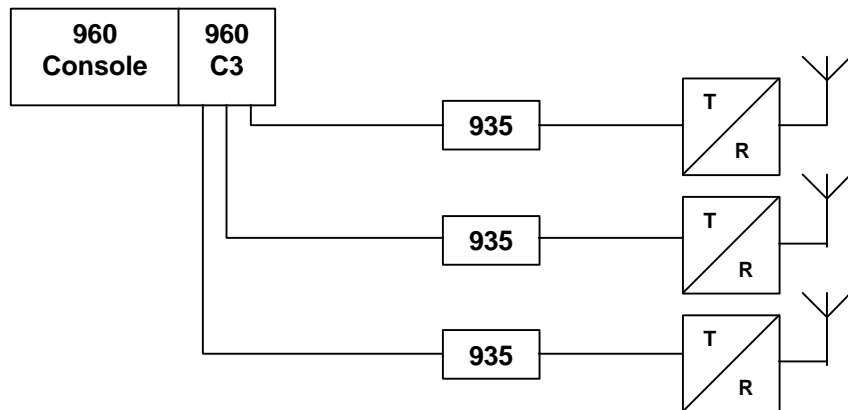


Figure 1. 960C3 Control of a Three Channel System

Plinths

960PS Basic Speaker Plinth

This practical unit provides a mounting base for any of the 960 Handsets and provides the benefits of louder and clearer audio via a larger speaker, which can either be switched through the handset's hook-switch or heard continuously.

960PE Extension Speaker Plinth

Designed primarily as an extension speaker for the 960 Series of peripheral interfaces, this unit allows for individual volume setting (independent of the connected handset or console) and offers the option of "cross-muting".

960PM Multi-channel Plinth

Ideal for people who are wanting more than a simple peripheral/interface setup but don't require a full 950 Radio Management System, this unit provides the operator with control of up to three channels.

Specifications

FEATURE	960 PS	960 PE	960 PM
Solid Steel Construction	Yes	Yes	Yes
Volume Control	No	Yes	No
Cross Muting	No	Yes	No
Radio Channel Control	No	No	Yes
960H Mounting Base	Yes	Yes	Yes
Off Hook/On Hook Audio	Yes	No	Yes
Busy/PTT Status	No	No	Yes