

960P RANGE OF HANDSET PLINTHS

ENHANCING PERFORMANCE AND VERSATILITY



Features/Benefits

- Large Speaker for clearer audio
- Background monitoring available on multi channel system
- Simple to add to any existing system
- 960PM will control up to 3 channels
- Enhanced audio quality and increased level
- Solid steel construction
- 960PE allows for desk or wall mounting
- Retrofit kit available

Introducing the 960P range of handset plinths —

960PS - Basic Speaker Plinth

960PE - Extension Speaker Plinth

960PM - Multi-channel Plinth

The 960 Series has been specifically developed to give you the best of both worlds - "On Hook" audio performance with greater volume, plus the privacy of handset operation. All three units utilise the same kind of metal base, while alternative front panels and labels allow for product variations which can be tailored to suit your specific needs - making upgrades to any existing 900/960 combination simple and inexpensive.

Model 960PS This practical unit provides a mounting base for any of the 960 Handsets. Enjoy the benefit

of louder and clearer audio via a larger speaker, which can either be switched through the handset's hook-switch or heard continuously. The choice is yours.

960PE designed primarily as an extension speaker for the 900 Series of peripheral interfaces, this unit allows for individual volume setting (independent of connected Handset or Console) and offers the option of 'cross-muting'.

960PM Ideal for people who need more than a simple peripheral/interface setup, but don't require a full 950 system, this unit provides the operator with control of up to three channels. The 960PM has similar functions to the 960SC, with OFF/MONITOR/ON switches and individual LED's for busy/PTT status of all channels.

This quality communication product range is just another innovative electronic solution from BISS Tech. If you'd like to know more about the 960 range of Handsets, please call your local BISS Technologies office.



Quality
Endorsed
Company
AS/NZS 9002
Lic-4235
Standards Australia

Designed,
Manufactured
and Supported by
BISS Technologies.

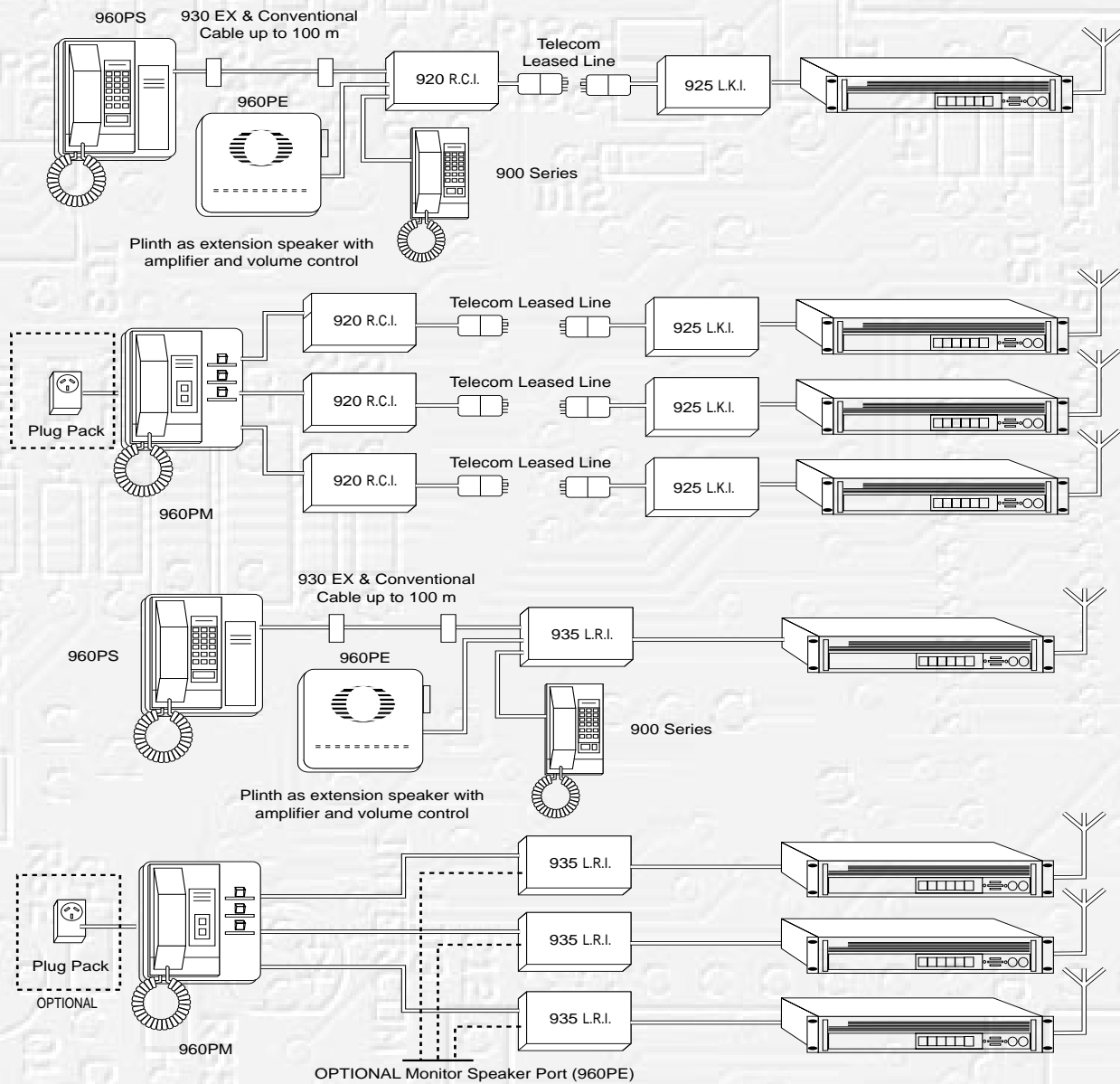
BISS Technologies Pty Ltd
An International
Company

BISS
TECHNOLOGIES
Voice communication

Innovative Electronic Solutions

SPECIFICATIONS

	960PS	960PE	960PM
Operating Voltage	NA	11 to 15Vdc	↔
Supply Current	NA	30mA - Standby 300mA - Full Volume	40mA (without handset)
Frequency Response	300 to 3000Hz (+/- 1.5dB)	300 to 2400Hz (+/- 1.5dB) (via low-pass filter)	↔
Average Audio Output Power	0.5W	1.0W	0.5W
Distortion	Less than 0.5%	Less than 0.3%	Less than 0.5%
Signal to Noise Ratio	Handset Dependent	Greater than 35dB	Handset Dependent
Dimensions (L x W x H)	230x165x80mm	↔	↔
Weight	960g (without handset)	990g	1kg (without handset)
Operating Temperature	0 to 60oC	↔	↔
Relative Humidity	0 to 95% non-condensing	↔	↔



Distributed by:

BIS^s
TECHNOLOGIES
Voice communication

Designed, Manufactured and
Supported by BISS Technologies.

BISS Technologies Pty Ltd —
An International Company

International Office:

301 Farchetau Drive, Solov QLD 4064, France
Tel. +33 2 4165 5722, Fax. +33 2 4165 5723

Head Office:

23 Moranud Plz.E, Santalot ER1290, France
Tel. +33 4 7251 2643, Fax. +33 4 7251 2644

Contact:

E-mail: info@bisstechnologies.com
www.bisstechnologies.com